



COLOURS

Ebony® is a medium frequency acoustic absorption panel. The front part of this model has a convex shape and consists of a membrane made of polyurethane in a resonant air-box. This convex shape eliminates the first convergent angles that are reflected in the rooms.

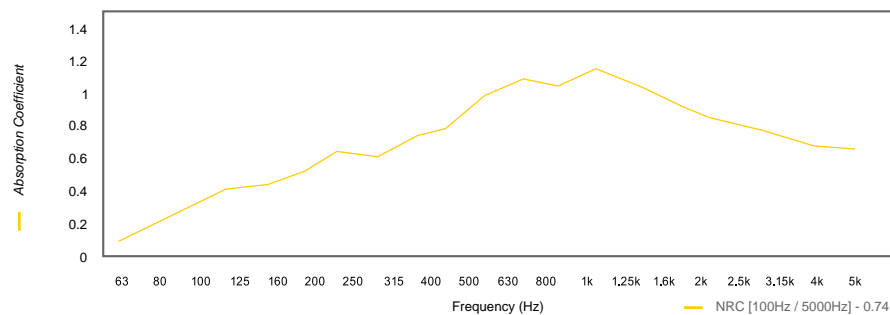
Inside it, other three raw-materials with different absorption properties have been applied. Although this model's resonant box is small, Ebony® also has a reasonable absorption coefficient at low frequencies. Due to its shape, Ebony® combines perfectly, technically and aesthetically, with the Ivory® diffuser. This product is meant to be mounted on walls and ceilings and its low weight is particularly suitable for ceilings.

Ebony® is a widely efficient absorption panel at the medium and low-medium range of the sound spectrum. You can find this product, in combination, in the JOCAVI® Standard ATP® (Acoustic Treatment Pack).

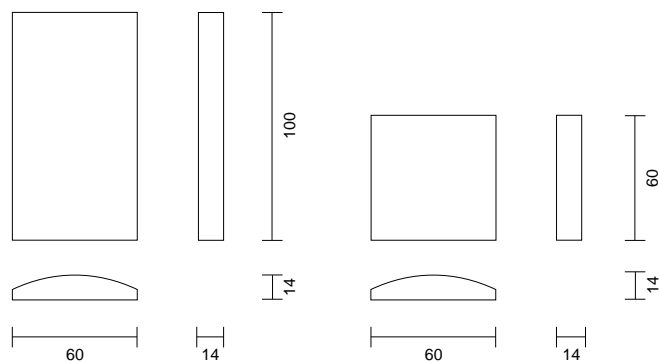
MODEL SIZES

	H	W	D	Kg
EBY100	100 cm	60 cm	14 cm	6.4
EBY060	60 cm	60 cm	14 cm	3.8

GRAPHIC



TECHNICAL DRAWING



EBY100

EBY060

VALUES

														Absorption Coefficient						
63	80	100	125	160	200	250	315	400	500	630	800	1k	1.25k	1.6k	2k	2.5k	3.15k	4k	5k	6.3k
0,22	0,31	0,39	0,47	0,49	0,55	0,65	0,63	0,71	0,76	0,91	0,99	0,96	1,03	0,96	0,89	0,81	0,77	0,72	0,67	0,66

— Values in accordance with the Standards: EN 20354, ASTM C423 and EN 11654. ■ Non Standard values.